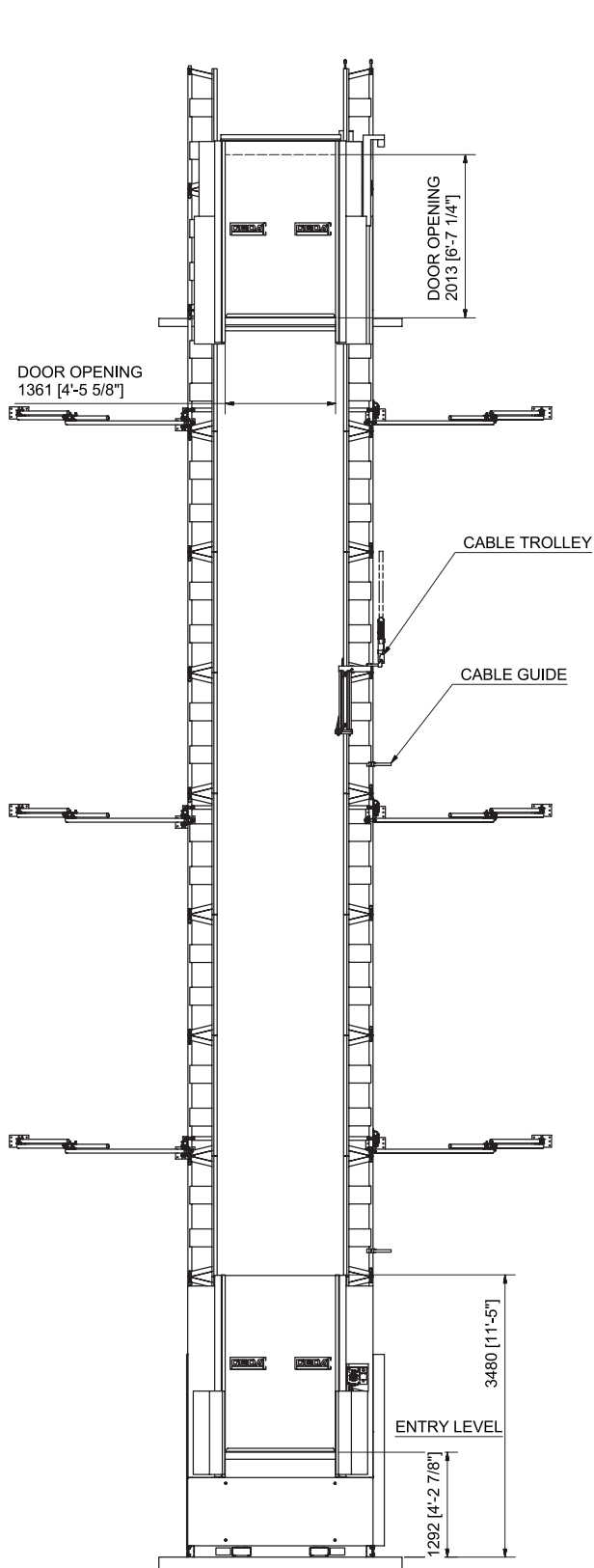


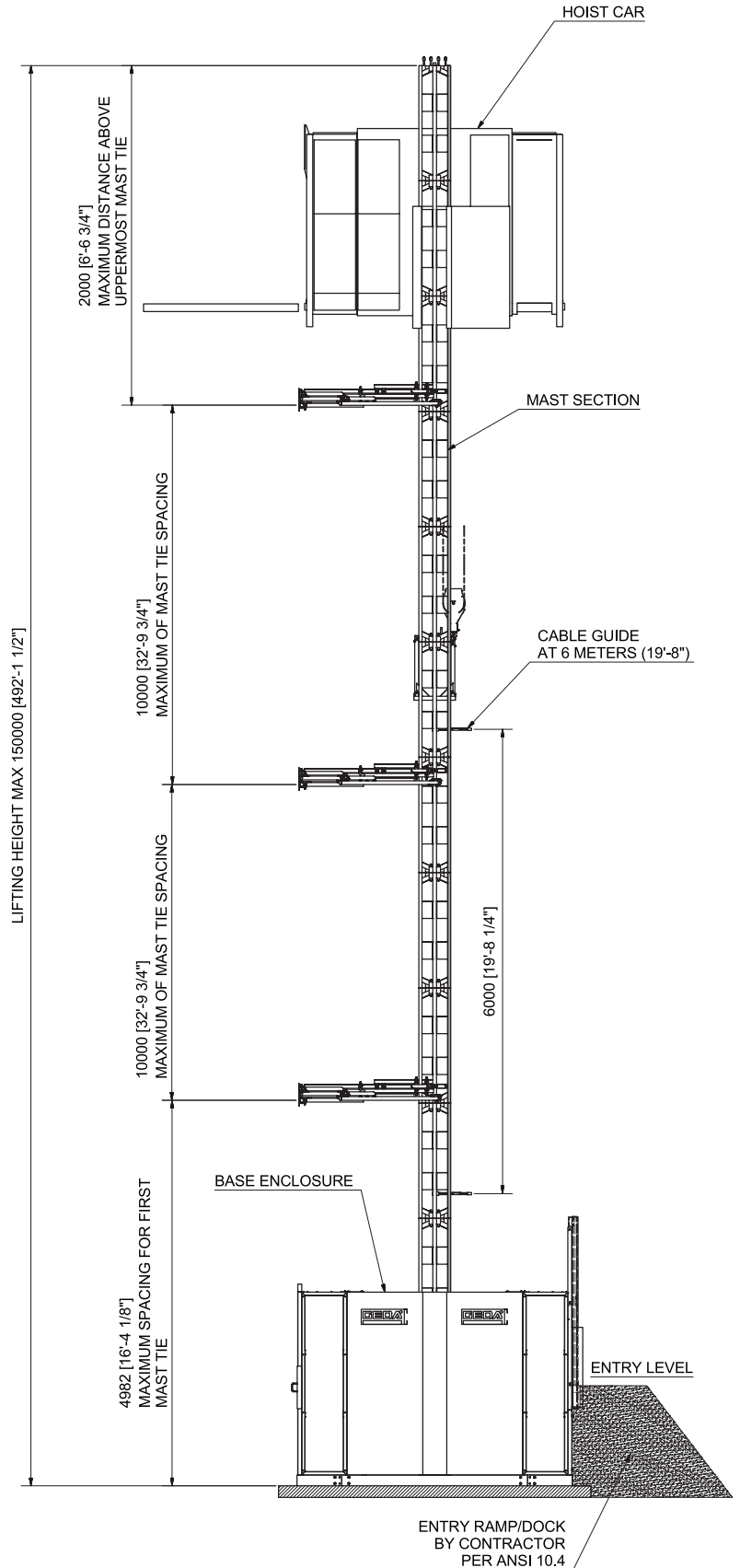


GEDA USA, LLC

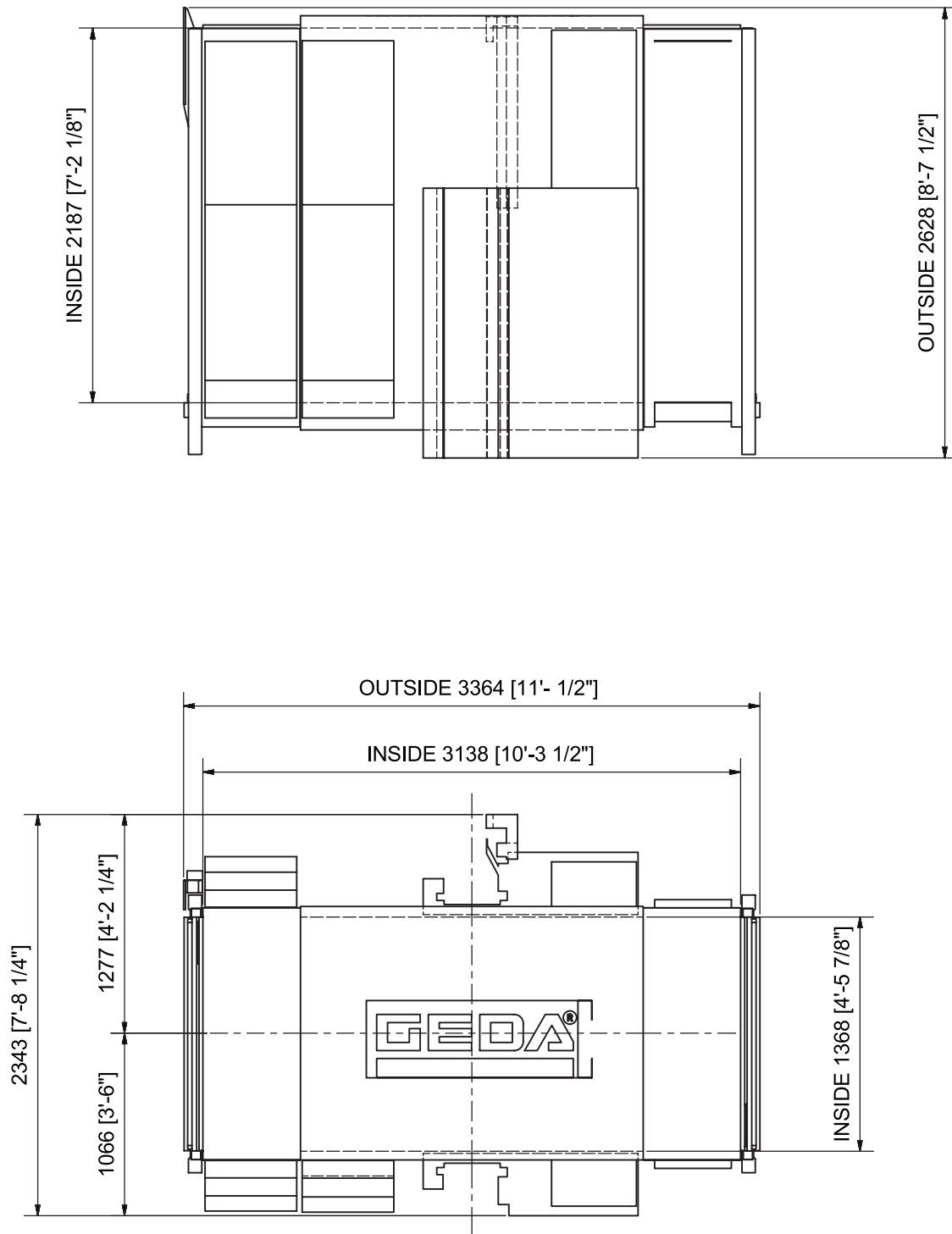
1151 Butler Rd. • League City, TX 77573
Phone: 713-621-7272 • Fax: 713-621-7279 • Toll-Free: 1-866-973-4332
www.gedausa.com • sales@gedausa.com



ELEVATION VIEW



DIMENSIONS CAR



UNLOAD SIDE WITH SLIDING DOOR

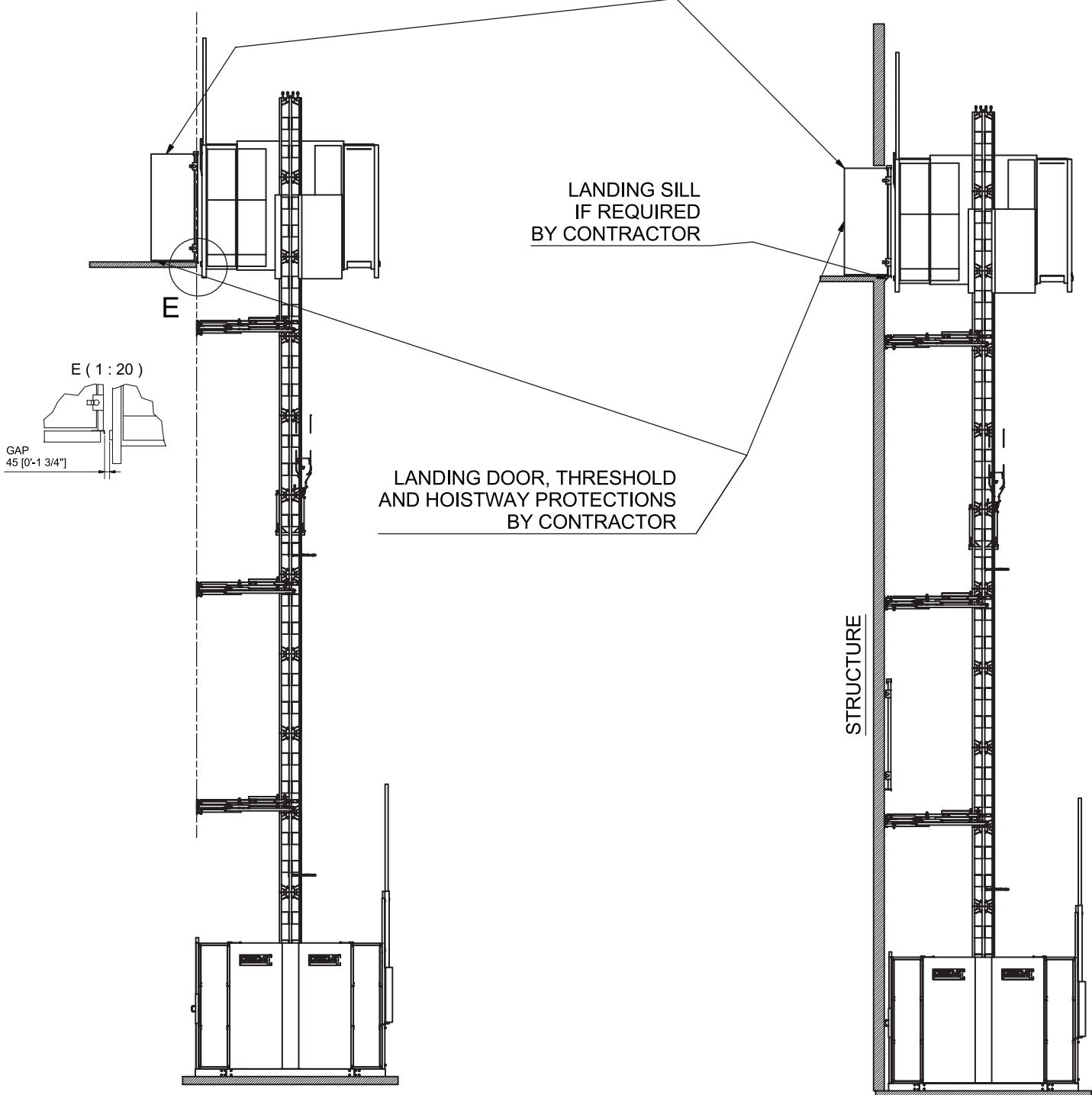
LANDING DOOR

- 1529 [5' - 1/4"] (MIN DOOR
OPENING WIDTH)

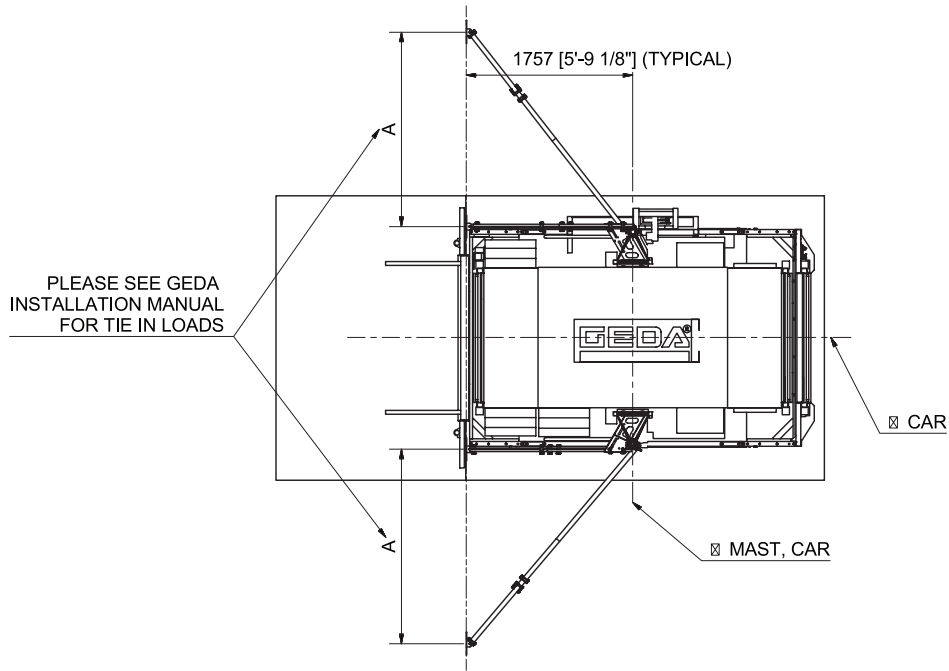
- 2000 [6' - 6 3/4"] (MIN DOOR
OPENING HEIGHT)

UNLOAD SIDE WITH SLIDING DOOR WALL MOUNTED

WITH LANDING SILL

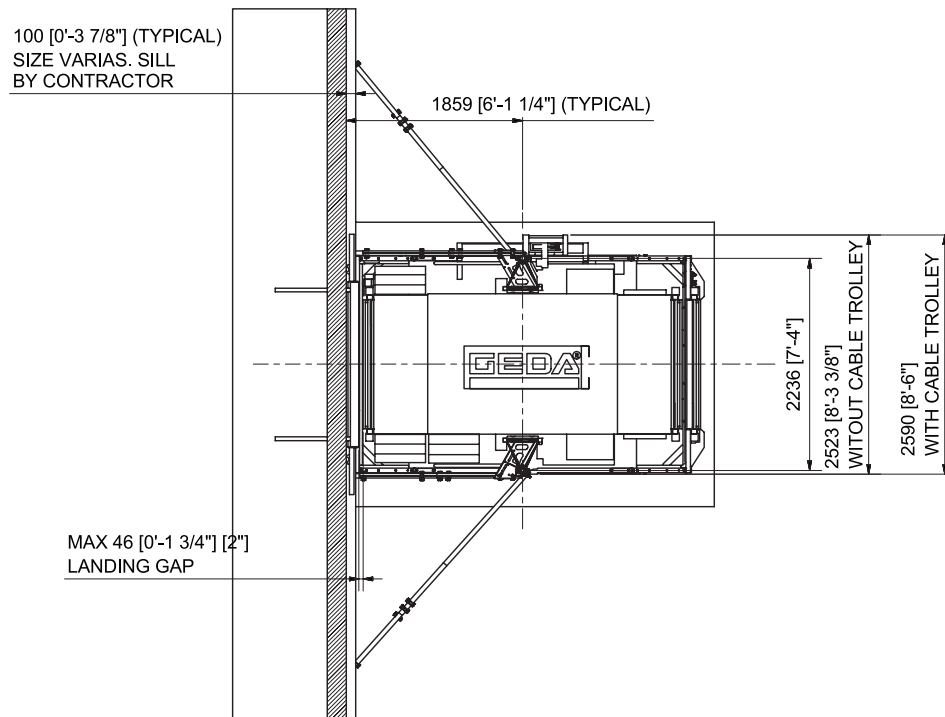


TIE IN DETAILS - WALL MOUNTED



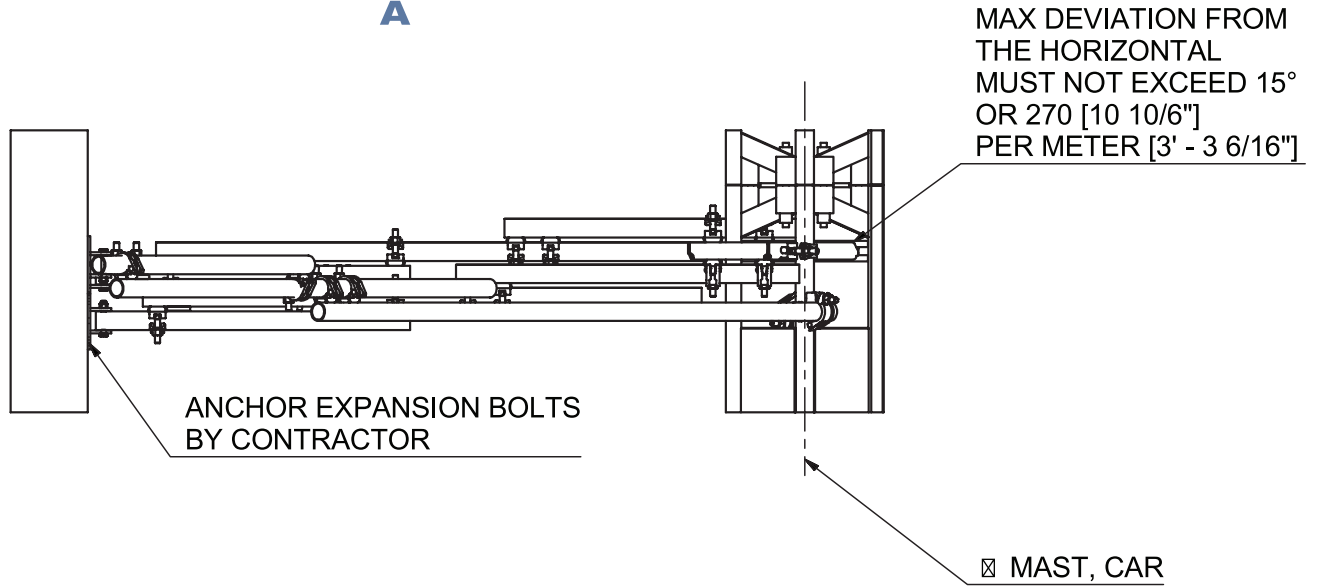
TIE IN DETAILS - WALL MOUNTED

WITH LANDING SILL



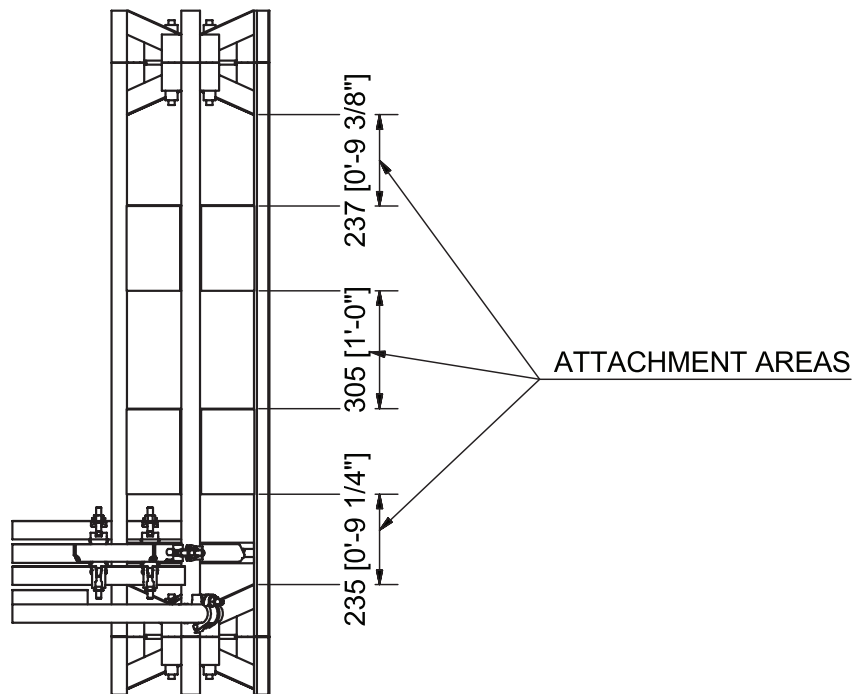
MAST TIE (ELEVATION VIEW)

A



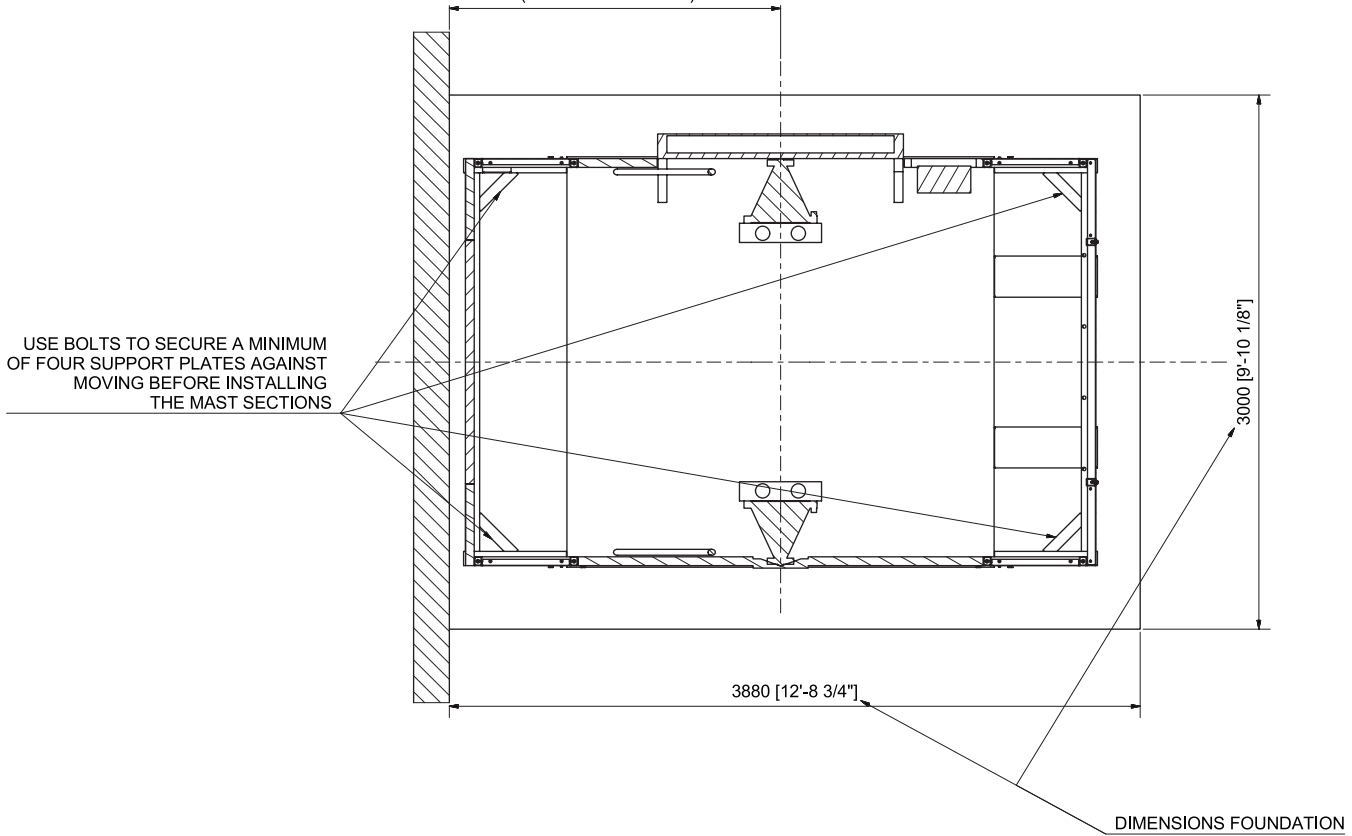
ATTACHMENT POINTS

B

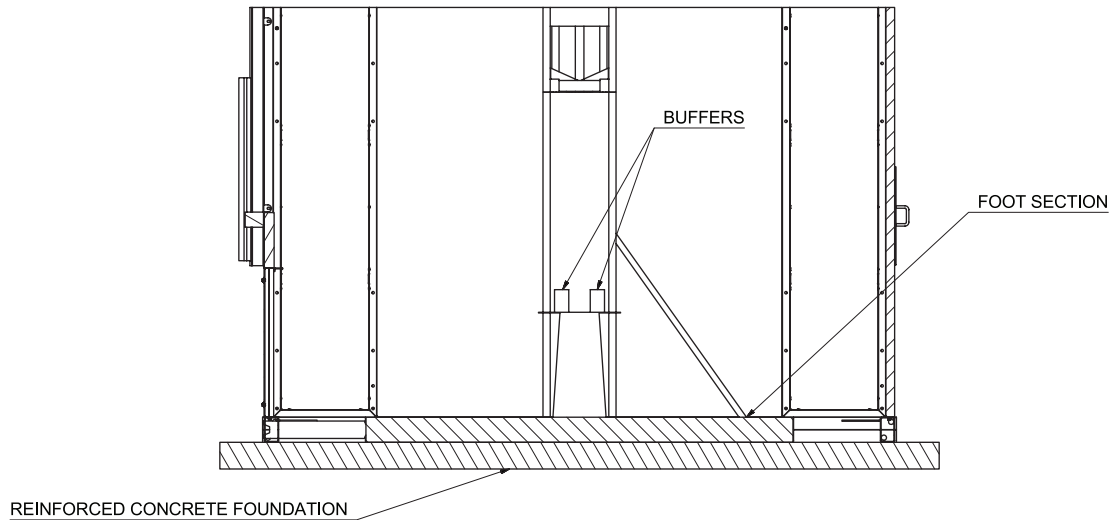


PLAN VIEW BASE ENCLOSURE AND FOUNDATION C-C

NOTE: DISTANCE FROM BUILDING FACE TO CENTER OF MAST DEPENDS ON THE TYPE OF MAST TIE INSTALLED AND HOW THE LANDING SILL IS REALIZED BY CONTRACTOR (SEE ALSO PAGE 2)



F-F



PLEASE SEE GEDA INSTALLATION MANUAL FOR TOTAL LOAD ON BASE FRAME AND BUFFER LOAD.

SPECIFICATIONS

MACHINE TECHNICAL DATA SPECS

MACHINE TYPE:	GEDA MULTILIFT 4400
CAPACITY:	4400 LBS
LIFTING HEIGHT:	VARIABLES (MAX 492 FT)
RATED SPEED:	79 ft/min (MAX 98 ft/min)
NUMBER OF MOTORS:	2x7.5kW (65Hz)
MOTOR PACK TYPE:	VFC

COMPONENTS WEIGHT

BASE UNIT PLATFORM:	6360 LBS
MAST ELEMENT:	99 LBS
MAST TIE: (for both Masts)	203 LBS
CABLE GUIDE:	6.3 LBS
CABLE TROLLEY:	187 LBS

POWER SUPPLY REQUIREMENTS (PER CAR)

VOLTAGE:	480 V, 3 PHASE	FREQUENCY:	60 HZ
MAINS FUSES:	35 A	POWER CONSUMPTION	29 kVA

