



- Quick installation
- Transport of persons and material
- GEDA UNI-X-MAST
- Code compliance ANSI A92.10
- Variable platforms available
- Modular design
- German engineered



GEDA TP 4400

The GEDA TP 4400 has two separate control systems and can be used either as a material hoist only or as a transport platform for passengers and materials. The transport platform control with a speed of 40 ft/min is activated for transporting passengers and materials. For transporting construction materials only, the device is switched to the material hoist mode with a lifting speed of 80 ft/min.

One device, numerous possibilities: the double-mast GEDA TP 4400 transport platform ideally adapts to virtually any conditions on site thanks to the convenient modular system with different platform versions and different load capacities. The large loading platform variants of the GEDA TP 4400 offer plenty of space – even for transporting particularly heavy and bulky materials. Despite high load capacities of up to 4400 lbs, the proven double mast system ensures a stable and smooth travelling motion.

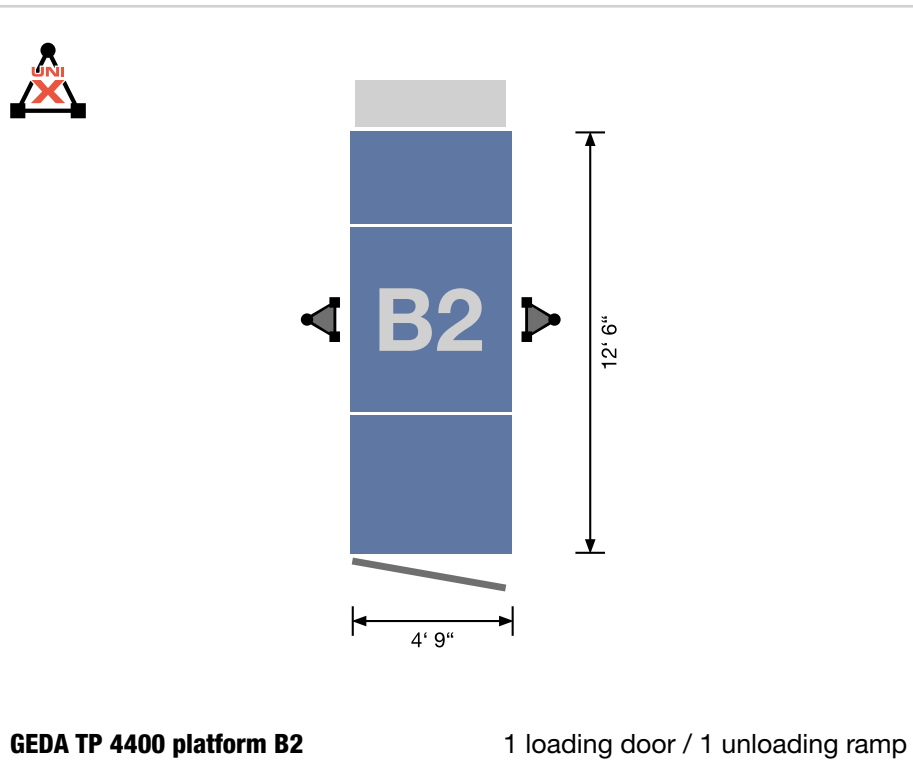
Technical data:

	4400 lbs 7 persons
	330 ft
	40/80 ft/min
	2 x 4.8/9.7 hp/480 V/ 60 Hz/30 A

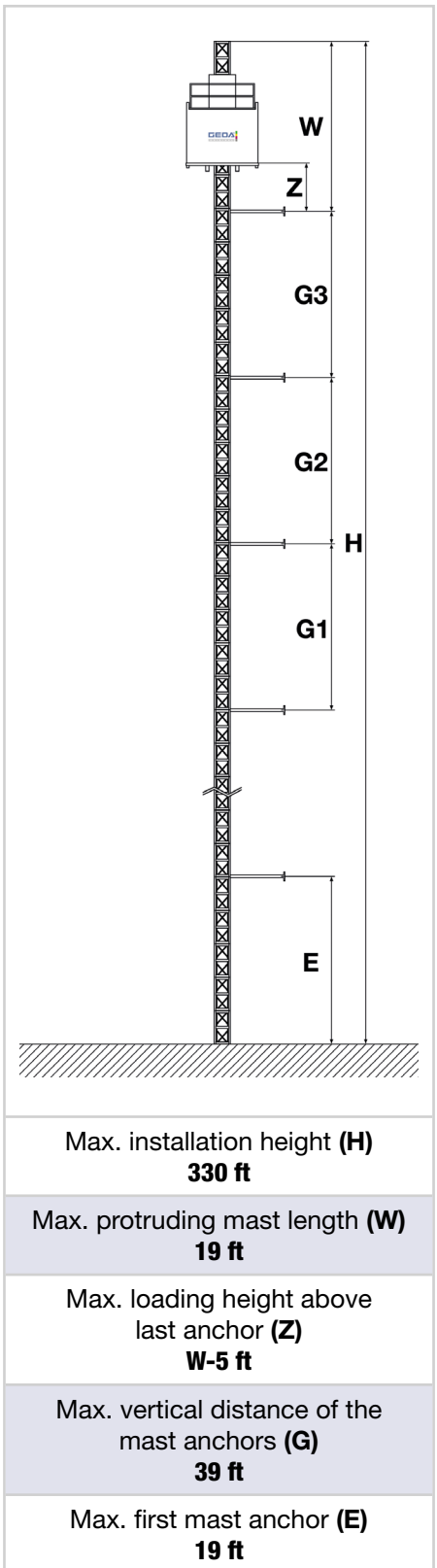
GEDA USA, LLC

1151 Butler Road · League City (Houston), TX 77573 · USA · Phone: +1 713-621-7272 · Fax: +1 713-621-7279 · Toll-Free: +1 866-973-4332
 sales@gedausa.com · www.gedausa.com

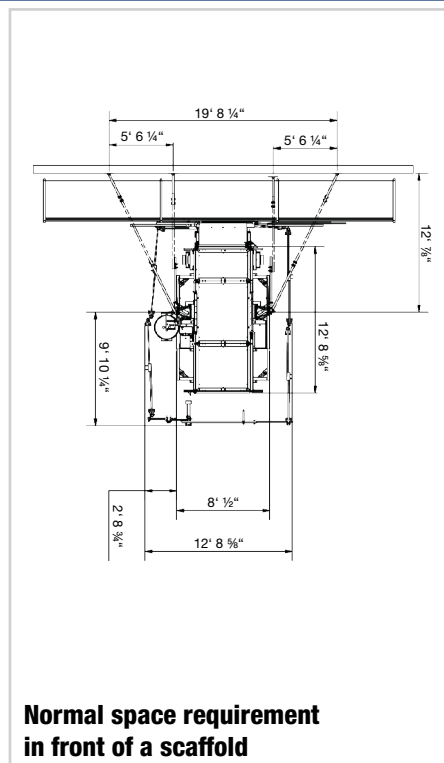
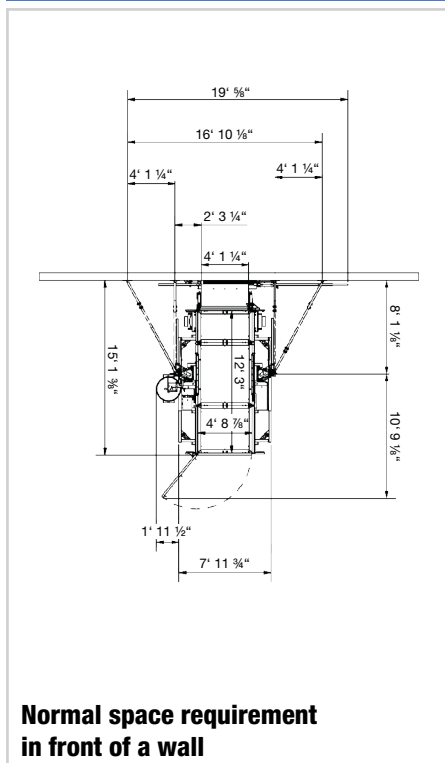
Platform:



Vertical installation details:



Space requirements:



GEDA USA, LLC

1151 Butler Road · League City (Houston), TX 77573 · USA · Phone: +1 713-621-7272 · Fax: +1 713-621-7279 · Toll-Free: +1 866-973-4332
 sales@gedausa.com · www.gedausa.com